

Attn: \_\_\_\_\_

**Newmans Frame Detail Sheet**



**D.H. Docks, LLC**

218.963.2566

FAX: 218.963.1144

docks@dhdocks.com

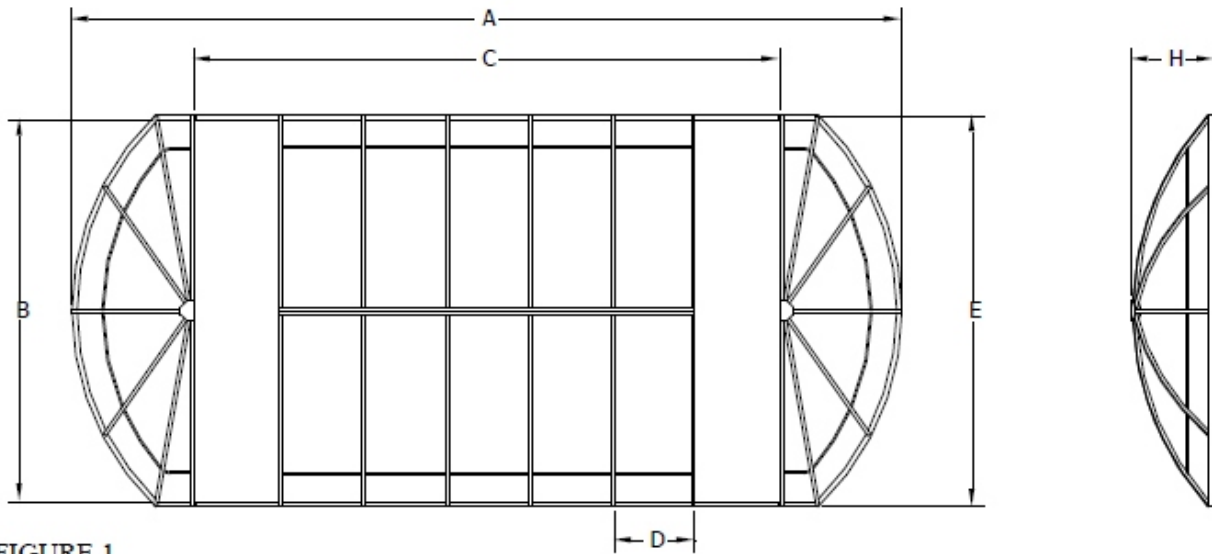


FIGURE 1

**\*ALL MEASUREMENTS (±1")**

PART NO.	SIZE	OVERALL LENGTH "A"	INSIDE WIDTH "B"	SIDE RAIL LENGTH "C"	OUTSIDE WIDTH "E"
NM1200054	12' X 54"	12' 1/2"	56 1/4"		59 1/4"
NM2000084	20' X 84"	20' 1/2"	86 1/4"	14'	89 1/4"
NM2000096	22' X 96"	22' 1/2"	98 1/4"	16'	101 1/4"
NM2400096	24' X 96"	24' 1/2"	98 1/4"	18'	101 1/4"
NM2000108	20' X 108"	20' 1/2"	110 1/4"	14'	113 1/4"
NM2400108	24' X 108"	24' 1/2"	110 1/4"	18'	113 1/4"
NM2400120	24' X 120"	24' 1/2"	123 1/2"	18'	126 1/2"
NM2800120	28' X 120"	28' 1/2"	123 1/2"	22'	126 1/2"

**ATTACHMENT**

Hooked bungee connects to aluminum bar welded across bows.

**OUTSIDE DIMENSIONS (See Figure 1)**

- A \_\_\_\_\_ OVERALL LENGTH OF FRAME
- B \_\_\_\_\_ INSIDE WIDTH OF FRAME
- C \_\_\_\_\_ LENGTH OF SIDE RAILS (W/O ENDS)
- D \_\_\_\_\_ BOW SPACING
- E \_\_\_\_\_ OUTSIDE WIDTH OF FRAME
- H \_\_\_\_\_ HEIGHT
- \_\_\_\_\_ COLOR CODE

**CONTACT INFORMATION**

Name \_\_\_\_\_  
 Address \_\_\_\_\_  
 City \_\_\_\_\_ State \_\_\_\_\_ Zip \_\_\_\_\_  
 Phone \_\_\_\_\_ Fax \_\_\_\_\_  
 Boat Lift Brand \_\_\_\_\_

**NOTES**

\_\_\_\_\_  
 \_\_\_\_\_  
 \_\_\_\_\_